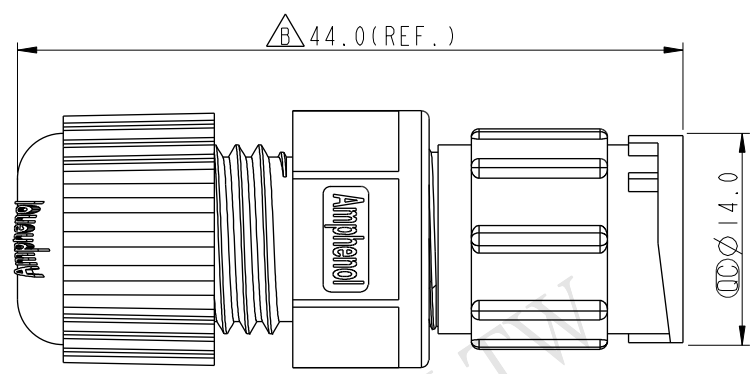
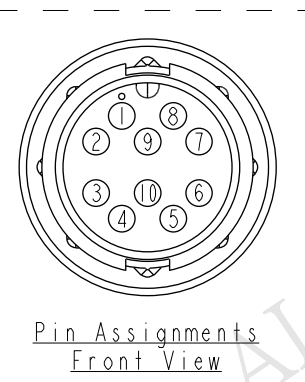
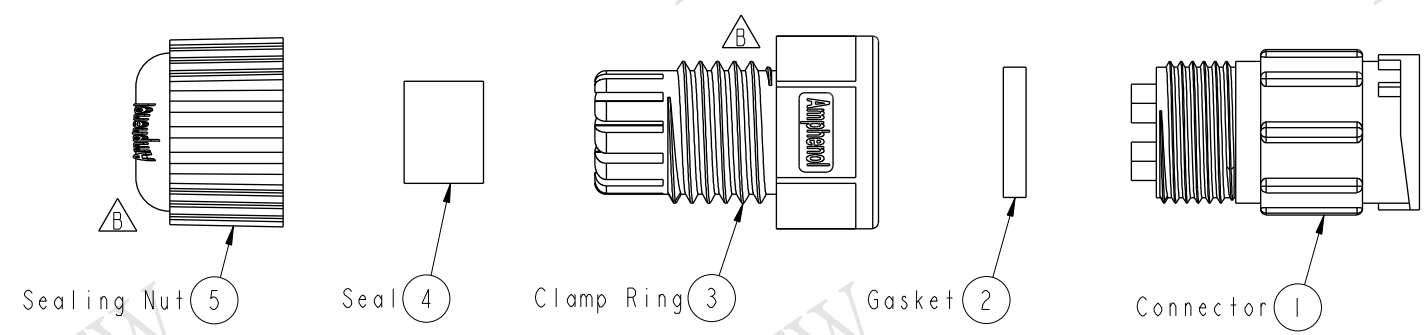


THIS DOCUMENT IS SUBJECT TO CHANGE WITHOUT NOTICE. IT IS CONFIDENTIAL AND A PROPERTY OF Amphenol LTW. DISCLOSURE TO THIRD PARTY HAS TO BE AUTHORIZED BY Amphenol LTW.

REV.	ECN NO.	DATE	SIGN	DESCRIPTION
B	LEN14C0421	2014/12/12	Vicky	Update Logo & Dimension

**ALTW**  
 CONFIDENTIAL  
 2014-12-12  
 R&D DEPT.

**ALTW**  
 DCC. DEPT.  
 CONFIDENTIAL  
 2014.12.23  
 ISSUED



- Note:
- \*  $\text{⌀}$  Important Dimension To Check.
  - \* Waterproof Rate: IP67
  - \* Housing: Nylon+GF, Black
  - \* Male Pin: Copper Alloy, Gold Plated
  - \* Gasket: EPDM, Black
  - \* Clamp Ring: Nylon, Black
  - \* Seal: EPDM, Black
  - \* Sealing Nut: Nylon, Black
  - \* Seal For Cable OD:  $\text{⌀}4.5\text{mm} \sim \text{⌀}6.5\text{mm}$   
(防水墊圈線徑:  $\text{⌀}4.5\text{mm} \sim \text{⌀}6.5\text{mm}$ )
  - \* One Set Unassembled In One PE Bag  
(每一組未組裝, 放置於一個PE袋, 並封口)

UNIT:mm  TOLERANCE .X ±0.25 .XX ±0.1 .XXX ±0.05 ANGLES ±1°	TITLE 10Pin Male Connector Male Pin(2A) for Field Installation, Lock Type			<h1>Amphenol LTW</h1> <h2>安費諾亮泰企業股份有限公司</h2>		ITEM NO BU-10BMMA-LL7001	DRAWN BY Vicky	DATE 2014-12-12
	SCALE 3:2	SIZE A4	SHEET 1 OF 1	DWG NO BU-10BMMA-LL7001	CHECKED BY Sam	DATE 2014-12-12	APPROVED BY Rita	DATE 2014-12-12
	REV. B	WC-REV. A.2	$\text{⌀}$ : Inspection item	CUSTOMER ALTW	APPROVED BY Rita	DATE 2014-12-12	DATE 2014-12-12	DATE 2014-12-12

A B C D E F