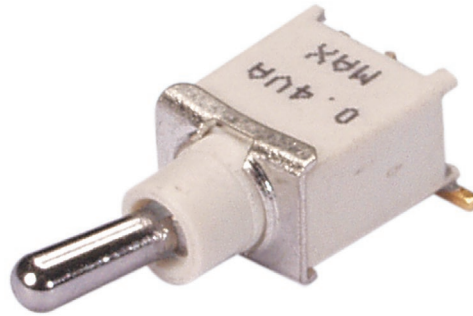


## SERIES 34E Sealed Surface Mount Toggle Switches

### FEATURES

- Save Space and Weight
- SPDT Circuitry
- Choice of Actuators and Terminations
- Sealed per IP67



### MODELS in inches (and millimeters)

Toggle Switches

**M6**

**SPDT**

| MODEL NO.   | SWITCH POSITION |      |      |
|-------------|-----------------|------|------|
| WMSP1       | ON              | NONE | ON   |
| WMSP2       | ON              | NONE | (ON) |
| WMSP3       | ON              | OFF  | ON   |
| WMSP4       | (ON)            | OFF  | (ON) |
| WMSP5       | ON              | OFF  | (ON) |
| TERM. COMM. | 2-3             | OPEN | 2-1  |

( )=MOMENTARY

02COMM.

SCHEMATIC

Dimensions: .148 (3.78), .320 (8.13), .410 (10.40), .200 (5.08), .100 (2.54), .020 (0.62), .240 (6.10), .427 (10.85), .162 (4.11), .100 (2.52), .030 (0.76), .300 (7.62), .140 (3.56), .150 (3.81) 2X, .290 (7.37), .080 3X (2.03), .040 (1.02), .080 SQ. 2X (2.03).

---

**S6**

**SPDT**

| MODEL NO.   | SWITCH POSITION |      |      |
|-------------|-----------------|------|------|
| WMSP1       | ON              | NONE | ON   |
| WMSP2       | ON              | NONE | (ON) |
| WMSP3       | ON              | OFF  | ON   |
| WMSP4       | (ON)            | OFF  | (ON) |
| WMSP5       | ON              | OFF  | (ON) |
| TERM. COMM. | 2-3             | OPEN | 2-1  |

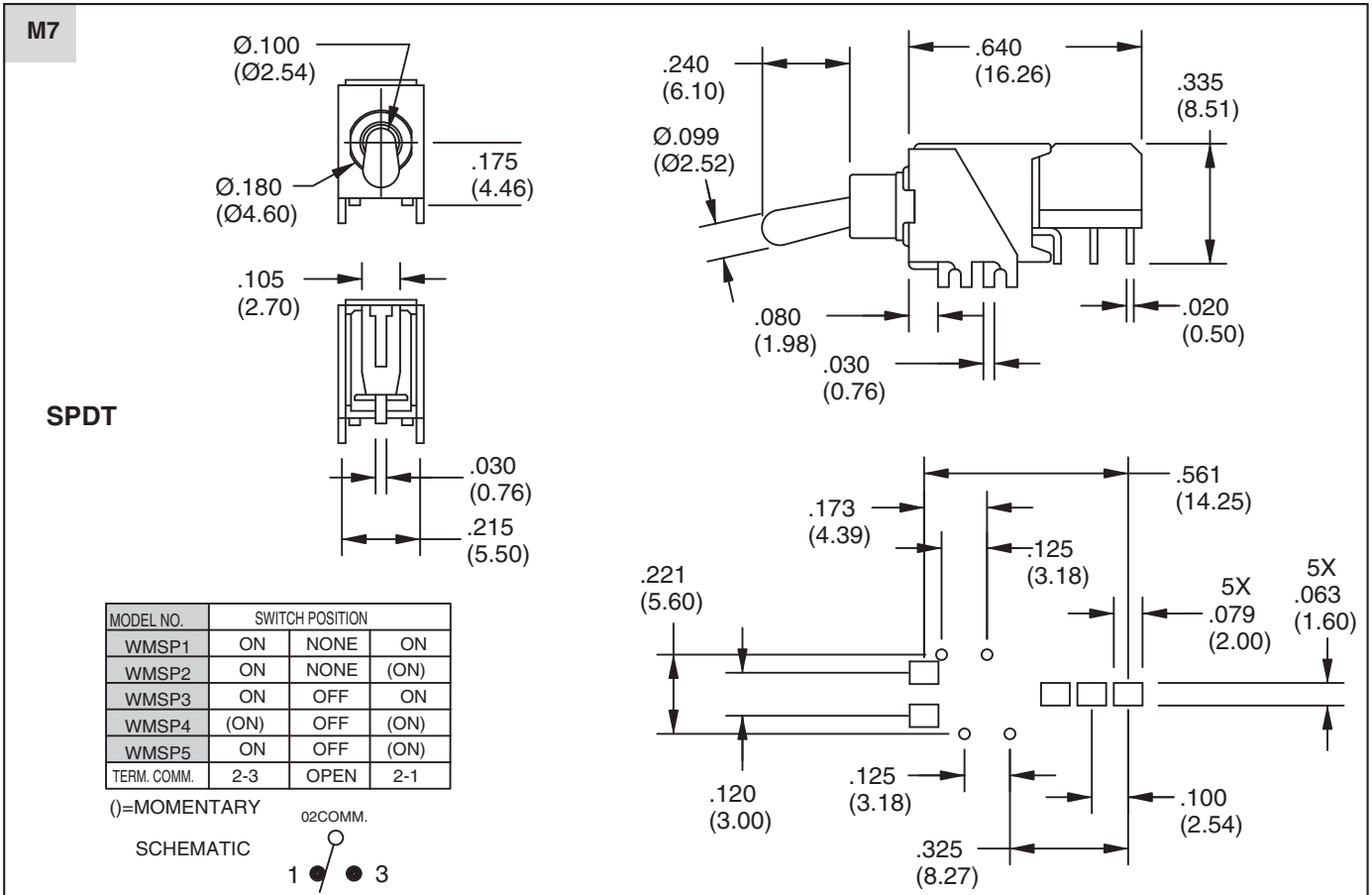
( )=MOMENTARY

02COMM.    05COMM.

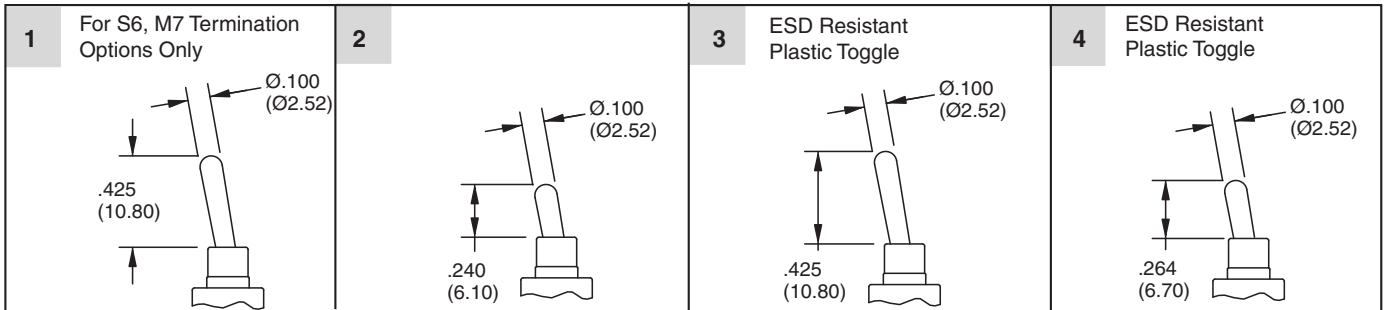
SCHEMATIC

Dimensions: .315 (8.00), Ø.179 (Ø4.55), .323 (8.20), .276 (7.00), .100 (2.54), .240 (6.10), .402 (10.20), .162 (4.11), .100 (2.52), .087 (2.21), .071 2X (1.80), .280 (7.10), .366 (9.30), .059 2X (1.50), .100 2X (2.54), .079 3X (2.00), .032 3X (0.80).

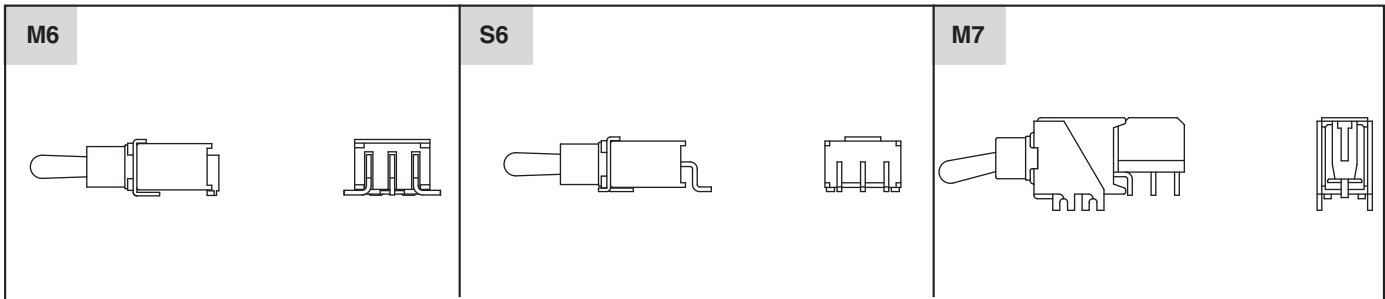
Grayhill, Inc. • 561 Hillgrove Avenue • LaGrange, Illinois 60525-5997 • USA • Phone: 708-354-1040 • Fax: 708-354-2820 • www.grayhill.com



**ACTUATOR OPTIONS** in inches (and millimeters)

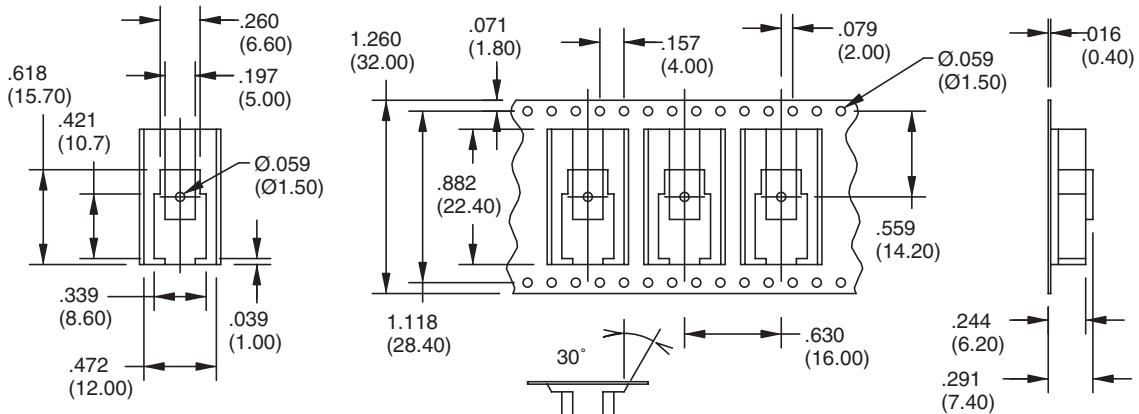


**TERMINATION OPTIONS**

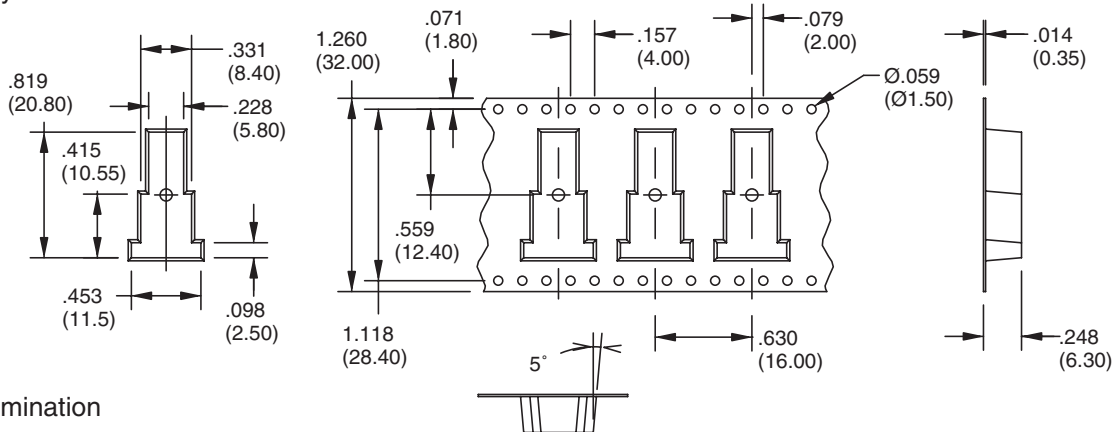


**TAPE AND REEL PACKAGING** in inches (and millimeters)

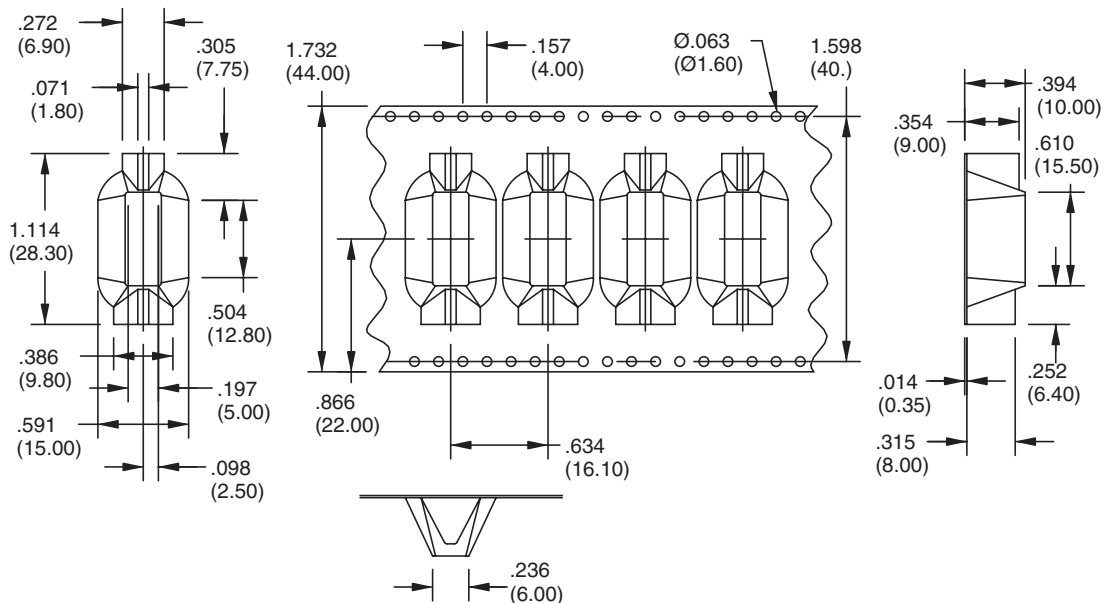
For M6 Termination  
Option Only



For S6 Termination  
Option Only



For M7 Termination  
Option Only



**SPECIFICATIONS**

**RATINGS**

**Contact Rating:** 0.4 VA max. @ 20V max. (AC or DC)

**Mechanical and Electrical Life:** 30,000 make-and-break cycles at full load

**Contact Resistance:** 20 milliohms max. typ. initial @ 2-4 VDC, 100 mA

**Insulation Resistance:** 1,000 megaohms minimum

**Dielectric Strength:** 1,500 V RMS @ sea level

**Operating Temperature:** -30°C to 85°C

**MATERIALS**

**Case and Bushings:** Glass-filled nylon 4/6, flame retardant, heat stabilized (UL94V-0)

**Actuator:** Brass, chrome plated

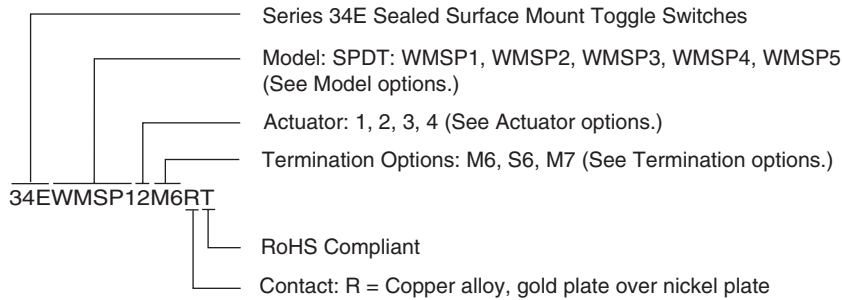
**Contacts:** Copper alloy, gold plate over nickel plate

**Terminals:** Copper alloy, tin plate over nickel plate

**Terminal Seal:** Epoxy

**Tape and Reel:** 500 pcs/per reel

**ORDERING INFORMATION**



Available from your local Grayhill Component Distributor.  
For prices and discounts, contact a local Sales Office, an authorized local Distributor or Grayhill.