

PART NUMBER	LED COLOR	MSL
594-2001-002F	RED	3
594-2001-007F		
594-2001-013F		
594-2501-002F	ORANGE	3
594-2501-007F		
594-2501-013F		
594-2401-002F	YELLOW	3
594-2401-007F		
594-2401-013F		
594-2301-002F	YELGRN	3
594-2301-007F		
594-2301-013F		
594-2901-002F	GREEN	3
594-2901-007F		
594-2901-013F		
594-2804-002F	WHITE - 2MA	2
594-2804-007F		
594-2804-013F		
594-2004-002F	RED - 2MA	2
594-2004-007F		
594-2004-013F		
594-2404-002F	YELLOW - 2MA	2
594-2404-007F		
594-2404-013F		
594-2504-002F	ORANGE - 2MA	2
594-2504-007F		
594-2504-013F		
594-2604-002F	ICE BLUE - 2MA	2
594-2604-007F		
594-2604-013F		

ABSOLUTE MAXIMUM RATINGS AT 25°C FOR 20mA PARTS							
LED COLOR	POWER DISSIPATION (mW)	FORWARD CURRENT (mA)	PEAK FORWARD CURRENT (mA)	REVERSE VOLTAGE (V)	OPERATING TEMPERATURE (°C)	STORAGE TEMPERATURE (°C)	JUNCTION TEMPERATURE (°C)
RED	48	20	100	5	-40 TO +85	-40 TO +100	90
ORANGE	60		80				90
YELLOW	48		100				90
YELLOW GREEN	48		100				90
GREEN	70		100				95

OPERATING CHARACTERISTICS AT 25°C FOR 20mA PARTS											
LED COLOR	IF (mA)	LUMINOUS INTENSITY (mcd)			DOMINANT WAVELENGTH (nm)			REVERSE CURRENT (MAX)	FORWARD VOLTAGE (V)		THERMAL RESISTIVITY (°C/W)
		MIN.	TYP.	MAX.	MIN.	TYP.	MAX.		TYP.	MAX.	
RED	20		54			625		10µA @ VR=5V	1.8	2.4	290
ORANGE			38			605			1.8	2.4	290
YELLOW			48			590			1.8	2.4	290
YELLOW GREEN			9			570			1.8	2.4	290
GREEN			312			525			2.8	3.5	110

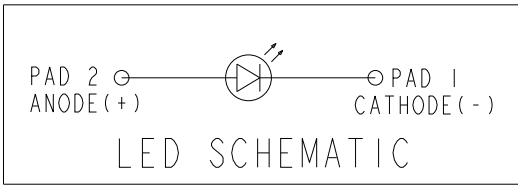
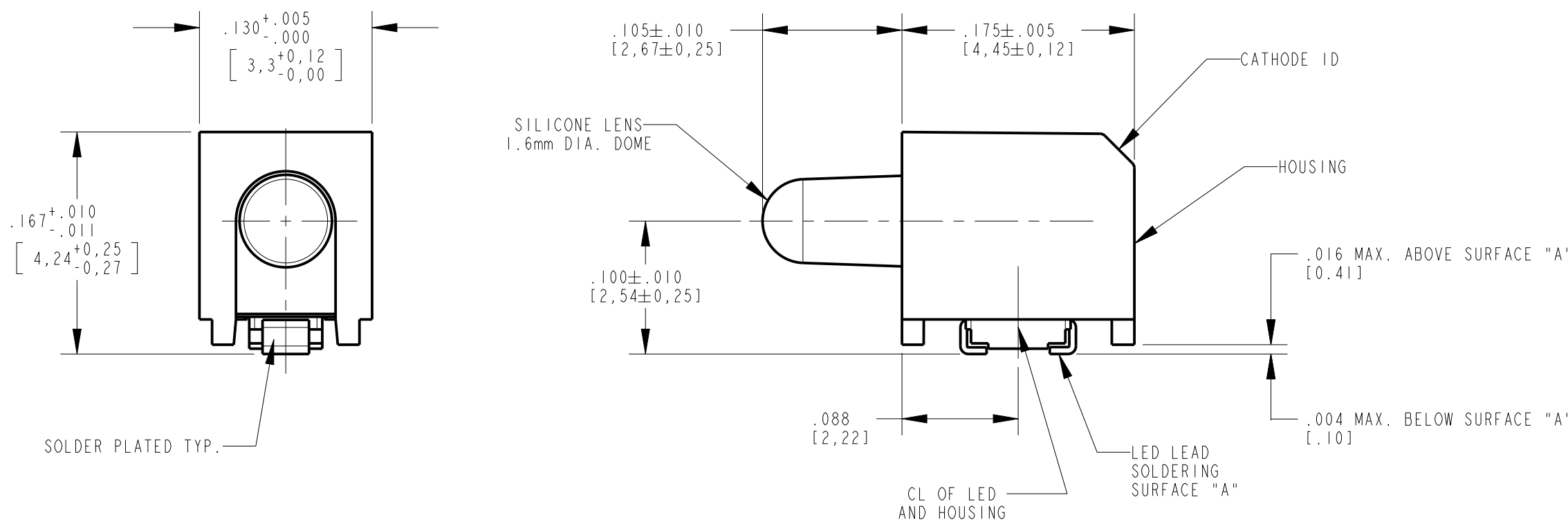
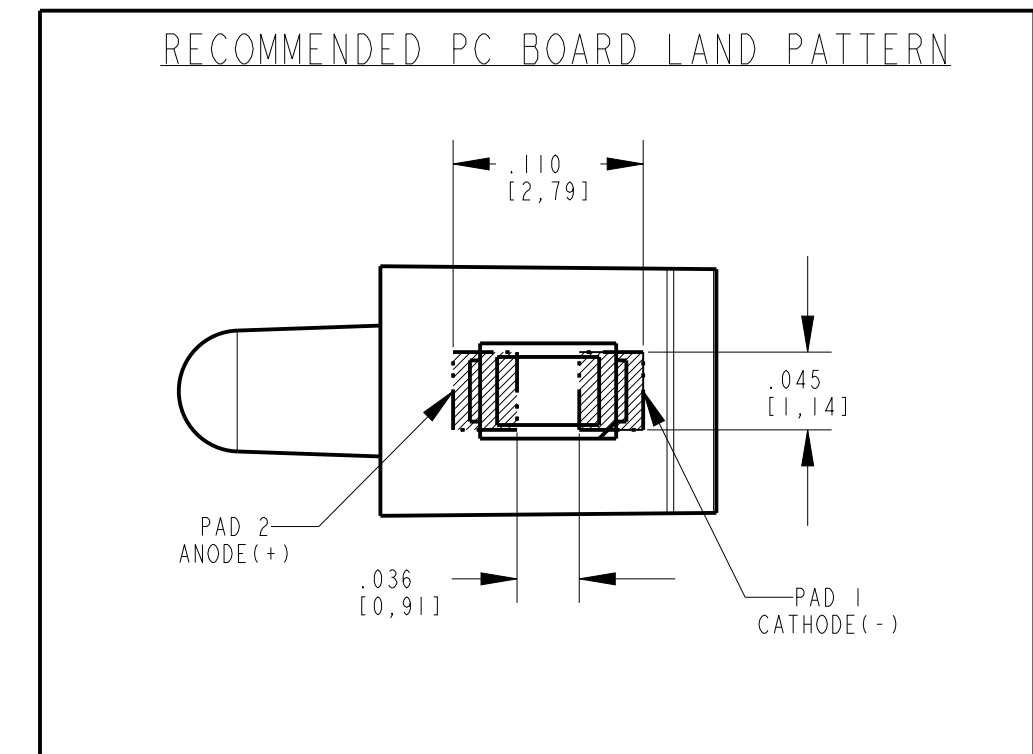
OPERATING CHARACTERISTICS AT 25°C 2mA PARTS															
LED COLOR (nm)	TEST CONDITION	CHROMACITY COORDINATE		LUMINOUS INTENSITY (mcd)			DOMINANT WAVELENGTH (nm)			REVERSE CURRENT (MAX)	FORWARD VOLTAGE (V)			VIEWING ANGLE (DEG) @ 50% IV	THERMAL RESISTIVITY (°C/W)
		Cx	Cy	MIN.	TYP.	MAX.	MIN.	TYP.	MAX.		MIN.	TYP.	MAX.		
RED (630)	2				2		624	630	636	10µA @ VR=12V	1.7	1.8	2.2	120	R,O,Y +280 B,W +230
ORANGE (606)					3		600	606	609		1.7	1.8	2.2		
YELLOW (588)					2.2		580	587	595		1.7	1.8	2.2		
ICE BLUE		0.2	0.3		3					10µA @ VR=5V	2.5	2.75	3.1		
WHITE		.33	.33		5					10µA @ VR=5V	2.5	2.75	3.1		

ABSOLUTE MAXIMUM RATINGS AT 25°C FOR 2mA PARTS						
LED COLOR (nm)	FORWARD CURRENT (mA)	SURGE CURRENT (mA) t<10µs; D=.005	REVERSE VOLTAGE (V)	OPERATING TEMPERATURE (°C)	STORAGE TEMPERATURE (°C)	JUNCTION TEMPERATURE (°C)
RED (630)	20	100	12	-40 TO +100	-40 TO +100	+100
ORANGE (606)	20	100				
YELLOW (588)	20	100				
ICE BLUE	15	150	5			
WHITE	20	200	5			

REV	REVISIONS	DRN	CKD	APP	DATE
A	NEW RELEASE	JGL		NO	4/02/19
B	REMOVED 20mA BLUE LED, REMOVED I _F =5.20 mA FROM FORWARD VOLTAGE, REVISED NOTE 8	JGL	LD	NO	12/19/19
C	CHANGED PCB LAND PATTERN.	JGL	LD	NO	02/27/2020

NOTES :

- MILLIMETER DIMENSIONS SHOWN FOR REFERENCE ONLY
- PAD NUMBERS ARE FOR REFERENCE ONLY , DESIGNATION NON-EXISTENT ON PART
- STORAGE CONDITIONS FOR TAPED PRODUCT: RE-TAPING MAY BE NECESSARY FOR PRODUCTS STORED MORE THAN TWELVE MONTHS
- ORDER QUANTITY IS LED ASSEMBLIES , NOT REELS
- ...-002F SUFFIX MEANS PARTS ARE PACKED ON A 20 pc SAMPLE STRIP
...-007F SUFFIX MEANS PARTS ARE PACKED ON A 7 INCH REEL , 400 pcs/REEL
...-013F SUFFIX MEANS PARTS ARE PACKED ON A 13 INCH REEL , 1600 pcs/REEL
- FRONT AND REAR TERMINALS OF THE ASSEMBLY TO BE WITHIN .005 COPLANARITY
- LED LEAD FRAME MATERIAL:
CORE MATERIAL = COPPER ALLOY
- DIALIGHT PART NUMBERS FOR 20mA AND 2mA PARTS.
594-2x01-002F 594-2x01-007F 594-2x01-013F; 594-2X04-002F, 594-2X04-007F, 594-2X04-013F.
- DRY PACK PACKAGING CONSIST OF A DESICCANT, HUMIDITY INDICATOR CARD IN A VACUUM SEALED MOISTURE BARRIER BAG, MOISTURE SENSITIVITY LABEL LEVEL 2 ON OUTSIDE OF BAG, AS PER JEDEC STD. 033 FOR 2mA PARTS. MSL3 FOR 20mA PARTS.
- ATTENTION: OBSERVE PRECAUTIONS FOR HANDLING ELECTROSTATIC SENSITIVE DEVICES.

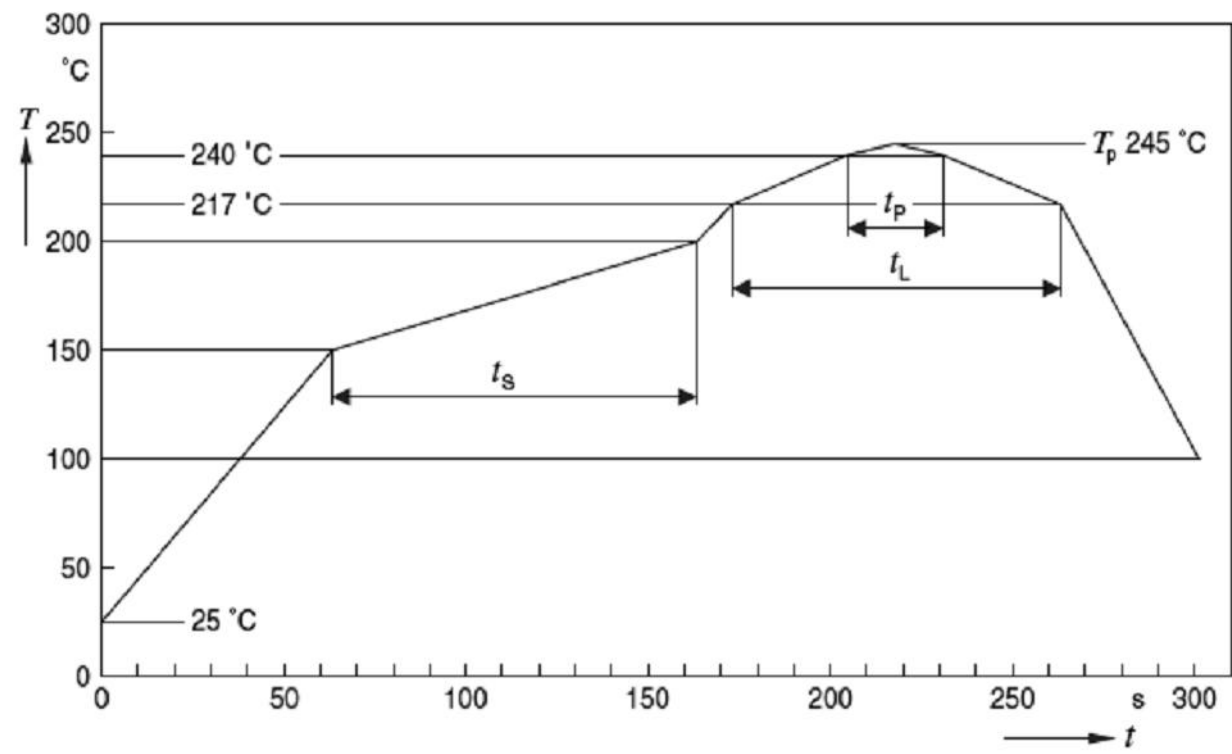


ATTENTION:
OBSERVE PRECAUTIONS FOR
HANDLING ELECTROSTATIC
SENSITIVE DEVICES

THIS DRAWING AND THE CONTENTS HEREIN ARE CONFIDENTIAL AND THE SOLE PROPERTY OF DIALIGHT CORP. REPRODUCTION OF THIS DRAWING OR CONSTRUCTION OF ANY PARTS WITHIN THIS DRAWING ARE FORBIDDEN WITHOUT THE WRITTEN CONSENT OF DIALIGHT CORP.		
DIALIGHT CORP. INTERNAL REFERENCE ONLY - 3D MODEL - 5942X04XXX-A-9		
SCALE: 10.000	DRAWING NUMBER	REV
ALL DIM'S IN: INCHES (MM)	C-18409	C
TOLERANCES: UNLESS OTHERWISE SPECIFIED	TITLE	
FRACTIONS: ±1/64	MINI PRISM - ROUND LENS 1.6mm DIA.	
DECIMALS (.XX): ±.01	MATERIAL	
DECIMALS (.XXX): ±.005		
DECIMALS (.XXXX): ±.0005		
ANGLES: ±1°		
FINISH		
FSCM 83330		
SHEET 1 OF 2	FAMILY TABLE:	

Dialight
1501 ROUTE 34 SOUTH
FARMINGDALE, NJ 07727
(732) 919-3119
www.dialight.com

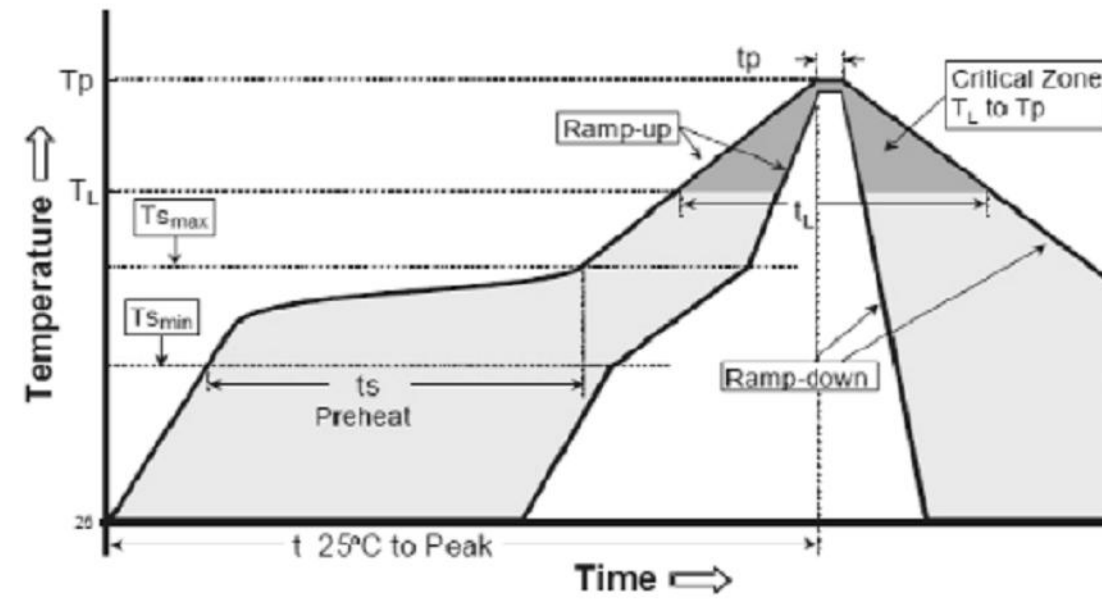
2mA LED
RECOMMENDED RoHS SOLDER PROFILE



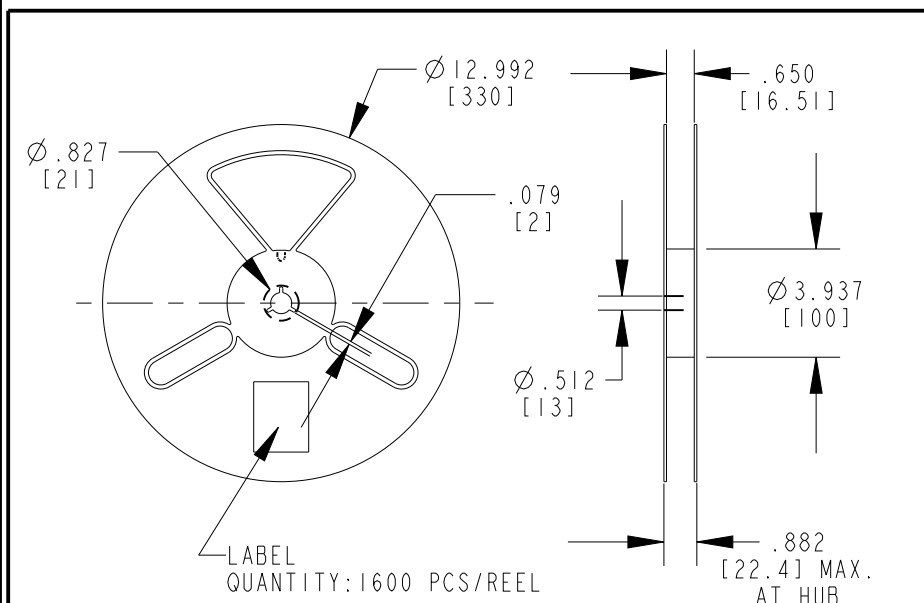
MARK	DEFINITION	CONDITION
TS _{max}	Maximum of pre-heating temperature	200 °C
TS _{min}	Minimum of pre-heating temperature	150 °C
T _s	Time form T _{smin} to T _{smax}	60-120 sec
T _L	Reference temperature	217 °C
t _L	Retention time for TL	within 80s
T _p	Peak Temperature	245 °C
t _p	Time for peak temperature	within 20s
DTr/Dt	Temperature rising rate	under 3° C/sec
DTd/Dt	Temperature decreasing rate	under -3° C/sec
t	25°C to t _p	480s

20mA LED
RECOMMENDED RoHS SOLDER PROFILE

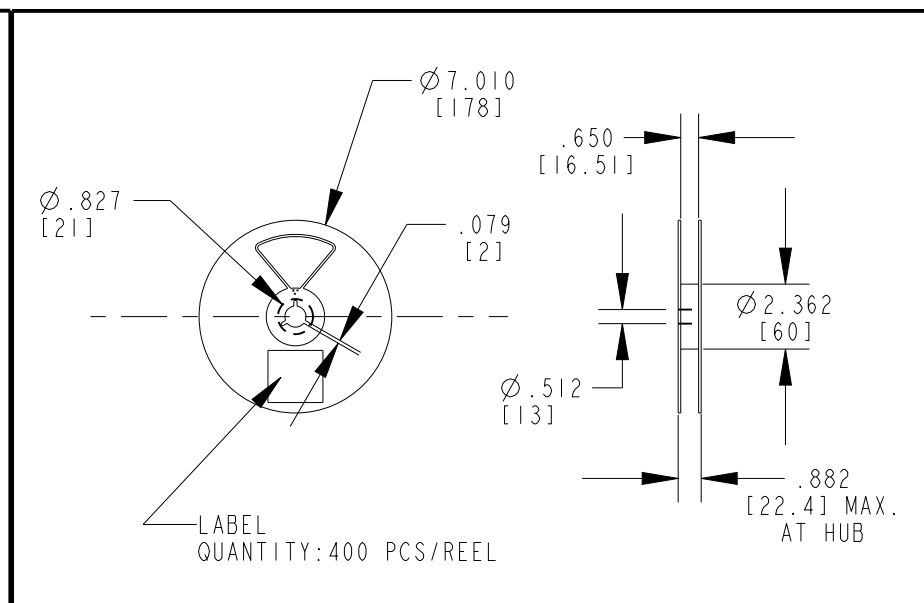
SMT Reflow Soldering Instructions SMT



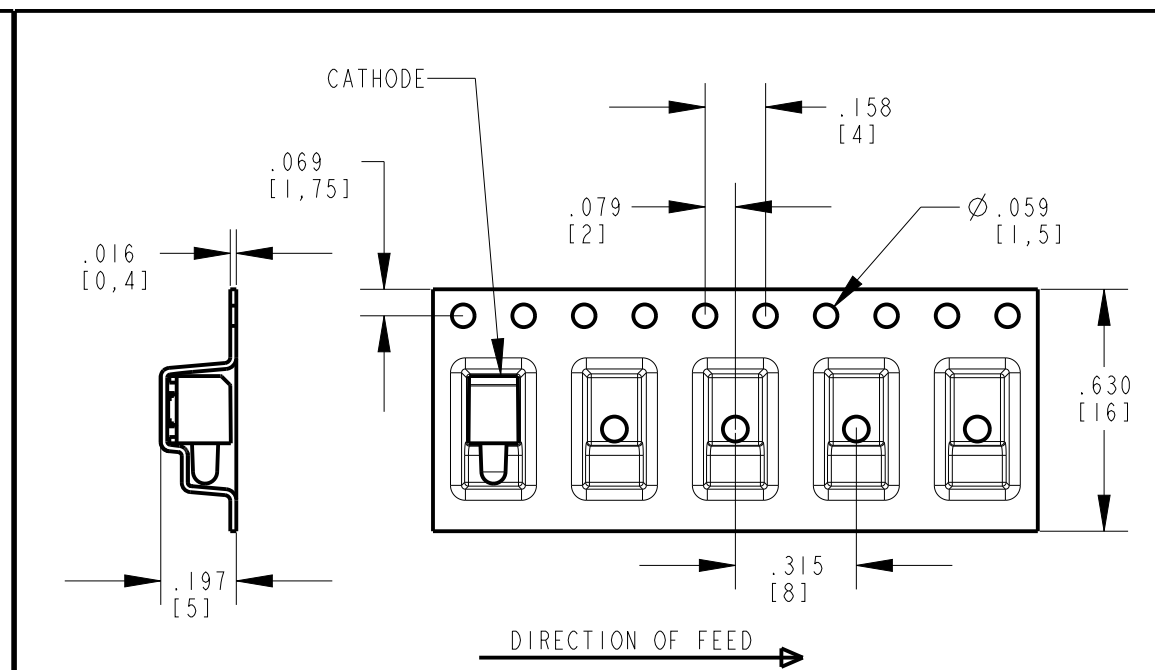
MARK	DEFINITION	CONDITION
TS _{max}	Maximum of pre-heating temperature	200 °C
TS _{min}	Minimum of pre-heating temperature	150 °C
T _s	Time form T _{smin} to T _{smax}	60-120 sec
T _L	Reference temperature	217 °C
t _L	Retention time for TL	within 60s
T _p	Peak Temperature	260 °C
t _p	Time for peak temperature	within 10s
DTr/Dt	Temperature rising rate	under 3° C/sec
DTd/Dt	Temperature decreasing rate	under -3° C/sec
t	25°C to t _p	480s



13 INCH DIA. REEL SPECIFICATIONS



7 INCH DIA. REEL SPECIFICATIONS



TAPING SPECIFICATIONS

THIS DRAWING AND THE CONTENTS HEREIN ARE CONFIDENTIAL AND THE SOLE PROPERTY OF DIALIGHT CORP. REPRODUCTION OF THIS DRAWING OR CONSTRUCTION OF ANY PARTS WITHIN THIS DRAWING ARE FORBIDDEN WITHOUT THE WRITTEN CONSENT OF DIALIGHT CORP.		
DIALIGHT CORP INTERNAL REFERENCE ONLY - 3D MODEL : 9100126384099-A.2		
SCALE: 2.000	DRAWING NUMBER	REV
ALL DIM'S IN: INCHES (MM)	C-18409	C
TOLERANCES: UNLESS OTHERWISE SPECIFIED	TITLE	
FRACTIONS: ±1/64	MINI PRISM - ROUND LENS 1.6mm DIA.	
DECIMALS (.XX): ±.01	MATERIAL	
DECIMALS (.XXX): ±.005	FINISH	
DECIMALS (.XXXX): ±.0005	FSCM 83330	
ANGLES: ±1°	SHEET 2 OF 2 FAMILY TABLE:	
1501 ROUTE 34 SOUTH FARMINGDALE, NJ 07727 (732) 919-3119 www.dialight.com		