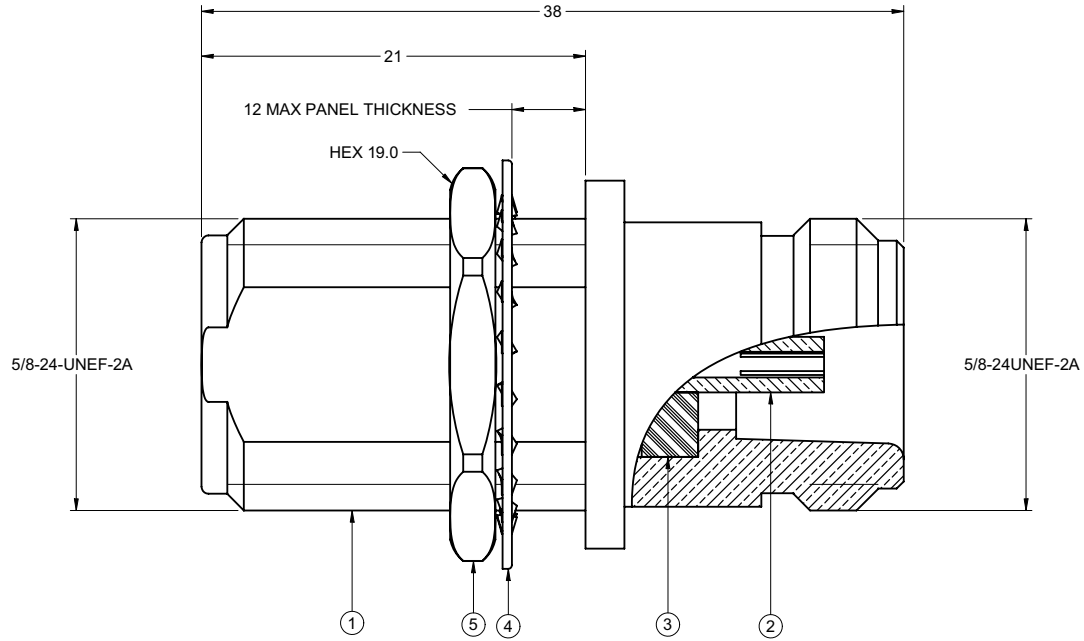


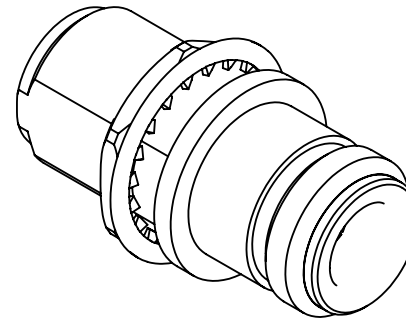
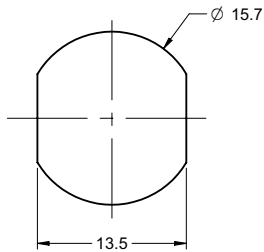
PART NUMBER	ITEM ① BODY	ITEM ② CONTACT	ITEM ③ INSULATOR	ITEM ④ LOCK WASHER	ITEM ⑤ MOUNTING NUT
CP-AD851	BRASS NICKEL PLATED	BERYLLIN GOLD PLATED	TEFLON	STEEL NICKEL PLATED	BRASS NICKEL PLATED

受控 CONTROLLED DOCUMENT					
编号 P/N	CP-AD851	版本 Rev	0A	日期 Rel'd Date	Mar 24,08

DRAWING NO. CP-AD851					
REVISIONS					
RELEASE FOR QUATION					
A	06-10-06	L	Y	T	



RECOMMENDED MOUNTING HOLE DIMENSIONS



NOTES:

1. ELECTRICAL SPECIFICATIONS

IMPEDANCE: 50 OHMS NOMINAL
 FREQUENCY RANGE: 0-11 GHz
 WORKING VOLTAGE: 500 VOLTS RMS AT SEA LEVEL
 DIELECTRIC WITHSTANDING VOLTAGE: 1500 VOLTS RMS AT SEA LEVEL
 CORONA LEVEL: 375 VOLTS MIN AT 70,000 FEET
 CONTACT RESISTANCE: OUTER-0.2 MILLIOHMS MAX
 CENTER-2.1 MILLIOHMS MAX
 INSULATION RESISTANCE: 5000 MEGOHMS MIN

2. MECHANICAL SPECIFICATIONS

DURABILITY: 500 CYCLES MIN

3. ENVIRONMENTAL SPECIFICATIONS

RECOMMENDED TEMPERATURE RANGE: -55 °C TO +85 °C
 MOISTURE RESISTANCE: MIL-STD-202

THIS DRAWING TO BE INTERPRETED
 PER ANSI Y 14.5M - 1994

COMPANY CONFIDENTIAL

TOLERANCE UNLESS OTHERWISE SPECIFIED		DRAWN BY LINDA.WU	DATE 06-10-06
DECIMALS	mm	CHECKED BY BETTY.YU	DATE 06-10-06
X	± 0.5	APPROVED BY THOMAS	DATE 06-10-06
X.X	± 0.2	U/M	mm
X.XX	± 0.1		
ANGLES	± 0.5°		

EMERSON Network Power		Connectivity Solutions	
TITLE N JACK TO BULKHEAD JACK ADAPTER			
SHEET 1 OF 1	DRAWING NO. CP-AD851	SIZE C	

THIS DRAWING WAS PRODUCED BY COMPUTER,
 DO NOT SCALE DRAWING OR UPDATE MANUALLY.