

G Series

Instrument Grade Miniature Slide Switches

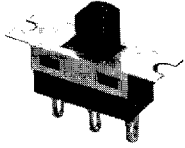
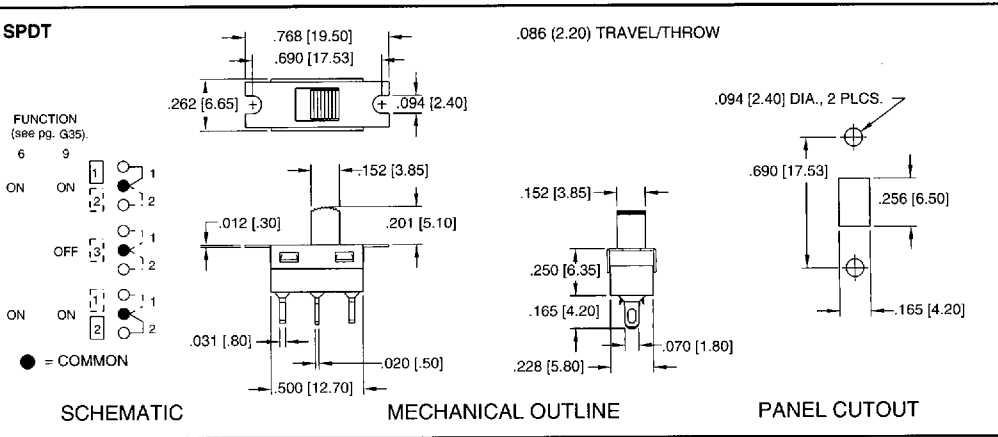
SPECIFICATIONS SUBJECT TO CHANGE WITHOUT NOTICE

SPECIFICATIONS
Contact ratings: Gold; 0.4 Volt-Amps (VA) max. at 20 V max. (AC or DC) Silver; 4 A at 125 VAC, 2 A at 250 VAC or 3 A at 30 VDC
Initial contact resistance: 10 milliohms max.
Insulation resistance: 1000 megohms min.
Dielectric strength: 1000 V rms min.
Electrical life w/resistive load: Gold; 60,000 cycles min. Silver; 2 pos. - 40,000 cycles, 3 pos. - 20,000 cycles
Operating temperature range: -30°C to +85°C
Solder heat resistance: 300°C max. for 5 seconds
Washing not recommended

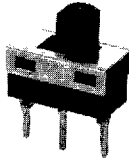
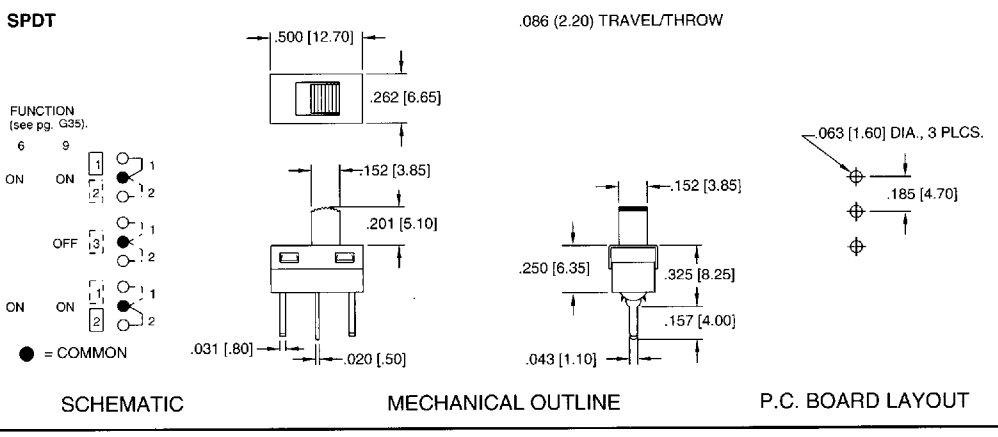
FEATURES
● Epoxy sealed terminals.
● Break-before-make contact action.
● SPDT and DPDT models with long electrical life.
● Many additional models & options available (see page G35).

MATERIALS
Contacts & terminals: Gold or silver available (see contact ratings)
Cover: Stainless steel Actuator: Glass filled polyamide
Case: PES high temp. thermoplastic Terminal seal: Epoxy


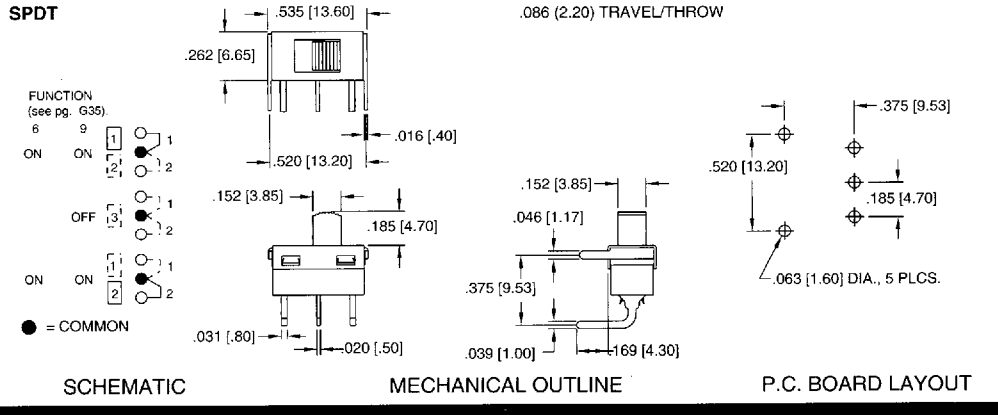
MODEL NO.	PLATING	ACTION
GH36S000001	Gold	on - on
GH39S000001	Gold	on off on
GH36S010001	Silver	on - on
GH39S010001	Silver	on off on

MODEL NO.	PLATING	ACTION
GH36P000001	Gold	on - on
GH39P000001	Gold	on off on
GH36P010001	Silver	on - on
GH39P010001	Silver	on off on

MODEL NO.	PLATING	ACTION
GH36W000001	Gold	on - on
GH39W000001	Gold	on off on
GH36W010001	Silver	on - on
GH39W010001	Silver	on off on

G Series

Instrument Grade Miniature Slide Switches

MODEL NO.	PLATING	ACTION	SPDT	SCHEMATIC	MECHANICAL OUTLINE	P.C. BOARD LAYOUT
GH36WW00001	Gold	on - on	FUNCTION (see pg. G35) 6 9 ON ON 1 2 OFF 1 2 ON ON 1 2 ● = COMMON		 .500 [12.70] .046 [1.17] .262 [6.65] .110 [2.80] .152 [3.85] .185 [4.70] .016 [.40] .031 [.80]	.086 (2.20) TRAVEL/THROW .063 [1.60] DIA., 5 PLCS. .150 [3.81] TYP .400 [10.16] .175 [4.45]
GH39WW00001	Gold	on off on				
GH36WW10001	Silver	on - on				
GH39WW10001	Silver	on off on				
GH36Y000001	Gold	on - on	FUNCTION (see pg. G35) 6 9 ON ON 1 2 OFF 1 2 ON ON 1 2 ● = COMMON		 .638 [16.20] .295 [7.50] .152 [3.85] .185 [4.70] .020 [.50] .031 [.80]	.086 (2.20) TRAVEL/THROW .125 [3.18] .620 [15.75] .185 [4.70]
GH39Y000001	Gold	on off on				
GH36Y010001	Silver	on - on				
GH39Y010001	Silver	on off on				
GH36Y400001	Gold	on - on	FUNCTION (see pg. G35) 6 9 ON ON 1 2 OFF 1 2 ON ON 1 2 ● = COMMON		 .638 [16.20] .295 [7.50] .152 [3.85] .185 [4.70] .020 [.50] .031 [.80]	.086 (2.20) TRAVEL/THROW .128 [3.18] .620 [15.75] .185 [4.70] 2 PLCS. .063 [1.60] DIA., 7 PLCS.
GH39Y400001	Gold	on off on				
GH36Y410001	Silver	on - on				
GH39Y410001	Silver	on off on				
ACTUATOR POSITION AND CONNECTIONS (FOR BOTH SP & DP MODELS)				SOLDER LUG TERMINAL		P.C. TERMINAL
<div style="display: flex; justify-content: space-around; align-items: center;"> <div style="text-align: center;"> Function 6 ON </div> <div style="text-align: center;"> NONE OFF </div> <div style="text-align: center;"> ON </div> </div>				 .165 [4.20] .074 [1.90] .043 [1.10] .070 [1.80]		 .232 [5.90] .157 [4.00] .043 [1.10]

SPECIFICATIONS SUBJECT TO CHANGE WITHOUT NOTICE

D 96E ■ 6346802 0001468 786 ■

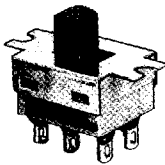
G Series

Instrument Grade Miniature Slide Switches

SPECIFICATIONS SUBJECT TO CHANGE WITHOUT NOTICE

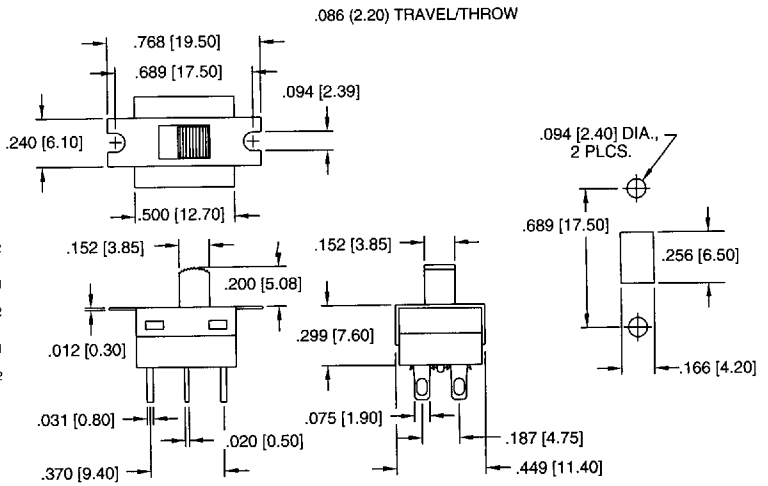
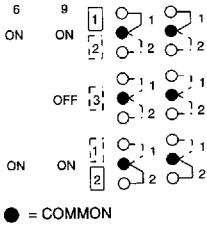
MODEL NO.	PLATING	ACTION
GH46S000001	Gold	on - on
GH49S000001	Gold	on off on
GH46S010001	Silver	on - on
GH49S010001	Silver	on off on

New!



DPDT

FUNCTION (see pg. G35)



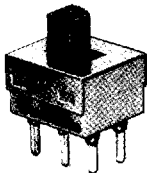
SCHMATIC

MECHANICAL OUTLINE

P.C. BOARD LAYOUT

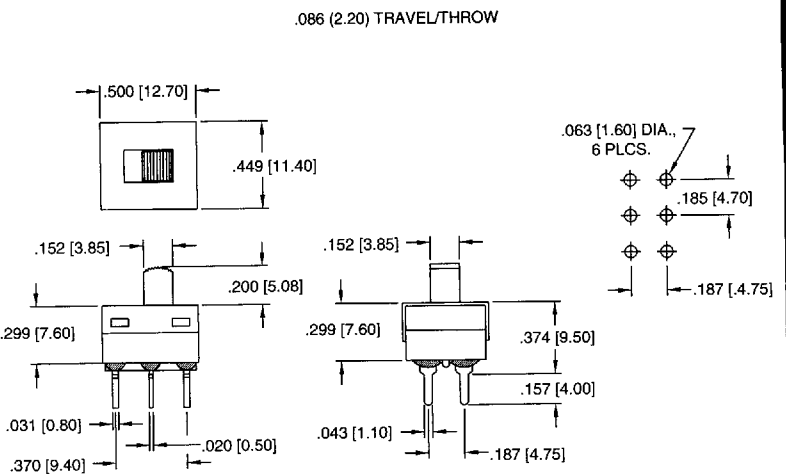
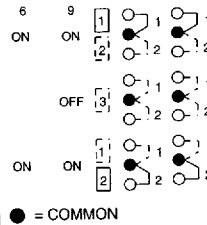
MODEL NO.	PLATING	ACTION
GH46P000001	Gold	on - on
GH49P000001	Gold	on off on
GH46P010001	Silver	on - on
GH49P010001	Silver	on off on

New!



DPDT

FUNCTION (see pg. G35)



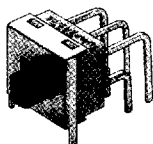
SCHMATIC

MECHANICAL OUTLINE

P.C. BOARD LAYOUT

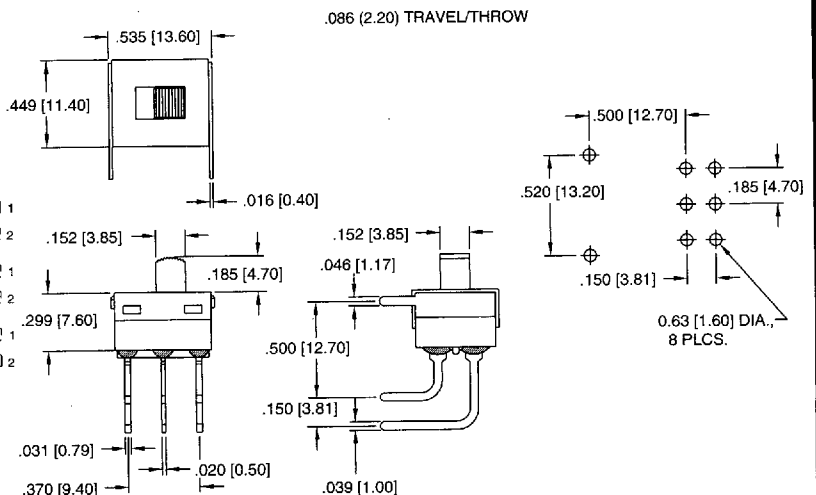
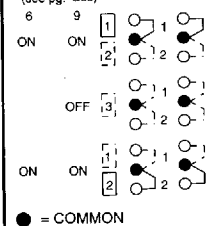
MODEL NO.	PLATING	ACTION
GH46W000001	Gold	on - on
GH49W000001	Gold	on off on
GH46W010001	Silver	on - on
GH49W010001	Silver	on off on

New!



DPDT

FUNCTION (see pg. G35)



SCHMATIC

MECHANICAL OUTLINE

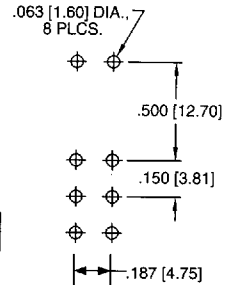
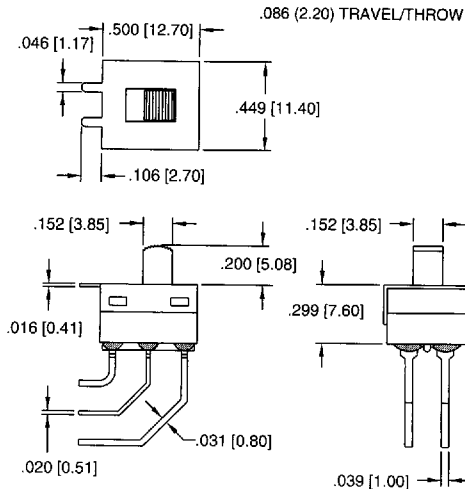
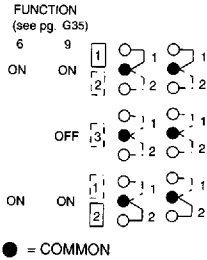
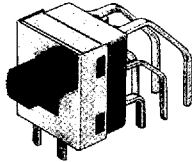
P.C. BOARD LAYOUT

G Series

Instrument Grade Miniature Slide Switches

MODEL NO.	PLATING	ACTION
GH46WW00001	Gold	on - on
GH49WW00001	Gold	on off on
GH46WW10001	Silver	on - on
GH49WW10001	Silver	on off on

New!



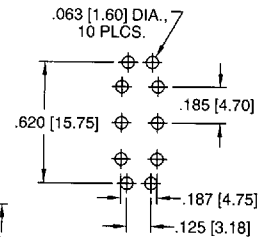
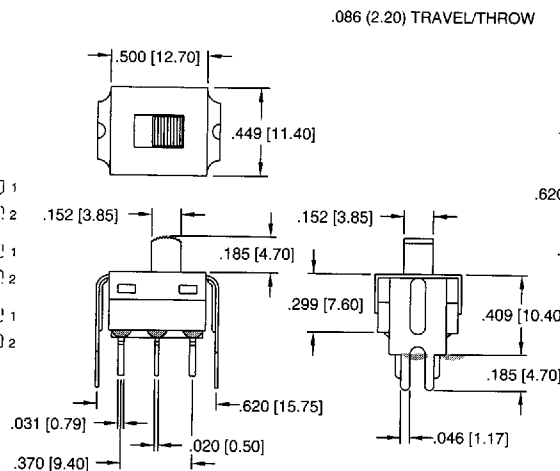
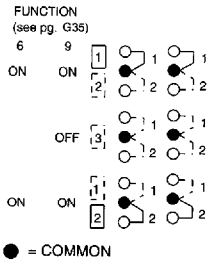
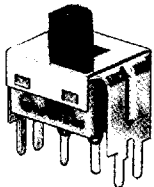
SCHEMATIC

MECHANICAL OUTLINE

P.C. BOARD LAYOUT

MODEL NO.	PLATING	ACTION
GH46Y000001	Gold	on - on
GH49Y000001	Gold	on off on
GH46Y010001	Silver	on - on
GH49Y010001	Silver	on off on

New!



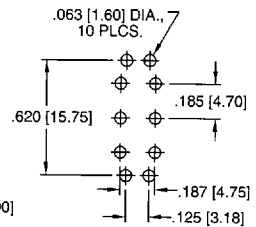
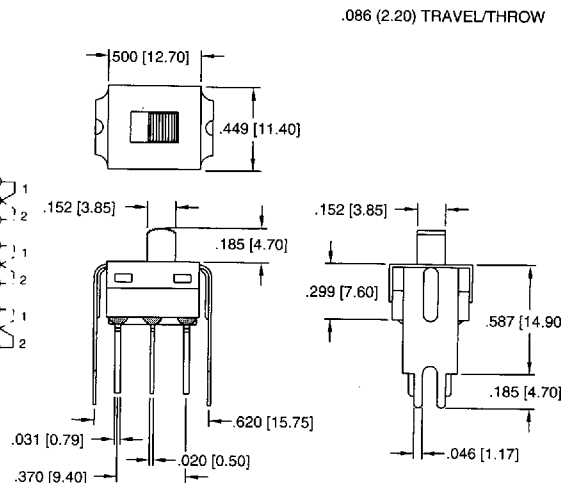
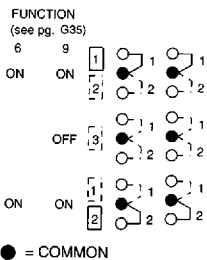
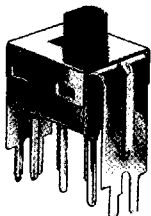
SCHEMATIC

MECHANICAL OUTLINE

P.C. BOARD LAYOUT

MODEL NO.	PLATING	ACTION
GH46Y400001	Gold	on - on
GH49Y400001	Gold	on off on
GH46Y410001	Silver	on - on
GH49Y410001	Silver	on off on

New!



SCHEMATIC

MECHANICAL OUTLINE

P.C. BOARD LAYOUT

SPECIFICATIONS SUBJECT TO CHANGE WITHOUT NOTICE

Additional ordering information: Commonly ordered models are shown on pgs. G31 thru G34 with complete specifications. Below is an ordering format that enables you to 'build your own switch' by simply selecting from all available options shown and filling in the boxes.

G Series

Instrument Grade Miniature Slide Switches

'BUILD YOUR OWN SWITCH' ORDER FORMAT

Fill in all boxes shown with options selected from below.
Allowable options for each box are shown under each respective box.

Series	Actuator Height	Poles	Function	Terminals	Contact & Term. Mat'l.	Special Option 1	Special Option 2
<input type="text" value="G"/>	<input type="text" value="B"/>	<input type="text" value="3"/>	<input type="text" value="6"/>	<input type="text" value="S 0"/>	<input type="text" value="0"/>	<input type="text" value="0 0"/>	<input type="text" value="0 0"/>
	<input type="text" value="C"/>	<input type="text" value="4"/>	<input type="text" value="9"/>	<input type="text" value="P 0"/>	<input type="text" value="1"/>	<input type="text" value="1 0"/>	<input type="text" value="0 1"/>
	<input type="text" value="E"/>		<input type="text" value="1"/>	<input type="text" value="W 0"/>	<input type="text" value="2"/>	<input type="text" value="1 1"/>	<input type="text" value="1 0"/>
	<input type="text" value="H"/>			<input type="text" value="W W"/>	<input type="text" value="5"/>	<input type="text" value="1 2"/>	<input type="text" value="1 1"/>
	<input type="text" value="L"/>			<input type="text" value="Y 0"/>	<input type="text" value="8"/>		
	<input type="text" value="N"/>			<input type="text" value="Y 4"/>			

Actuators heights: Dimensions in inches and millimeters. **H** is standard.

- B** = .301" (7.65mm) **C** = .137" (3.50mm) **E** = .358" (9.10mm)
H = .200" (5.10mm) for S0 & P0 and .185" (4.70mm) for Y, Y4, W0 & WW
L = .251" (6.40mm) **N** = .374" (9.50mm)

- Poles:** **3** = Single Pole **4** = Double Pole
Functions: **6** = ON - ON **9** = ON OFF ON **1** = ON - OFF

Terminals: See completely specified models in prior section for configurations and dimensions.

- S0** = Solder lugs
- P0** = .250" (6.35mm) long Printed circuit terminals
- W0** = Right angle horizontal p.c. terminals with mounting bracket
- WW** = Right angle vertical p.c. terminals with mounting bracket
- YO** = P.C. terminals with short bracket
- Y4** = P.C. terminals with tall bracket

Contact & terminal materials: See contact ratings under "specifications".

- 0** = Gold plated brass
- 1** = Silver
- 2** = Gold plated silver
- 5** = Special contact with lower rating
- 8** = Gold plated brass contacts with tin plated terminals (not available w/SO)

Special options 1:

- 00** = Standard model
- 10** = Switch without ground plate
- 11** = .407" (10.35mm) long printed circuit terminals
- 12** = Same as 11 except without ground plate

Special options 2:

- 00** = No epoxy seal (for printed circuit terminals only as S0 (solder lug) terminals are always sealed)
- 01** = Epoxy sealed terminals (standard on solder lug models)
- 10** = Extended terminals for WW models (see figure 1)
- 11** = Same as 10 above except with epoxy sealed terminals

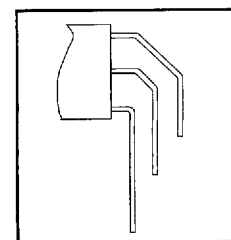


figure 1

D 96E ■ 6346802 0001471 270 ■

SPECIFICATIONS SUBJECT TO CHANGE WITHOUT NOTICE