

# CHAMP 050 SHELD CASE KIT 26P ✓ ACTIVE

## CHAMP

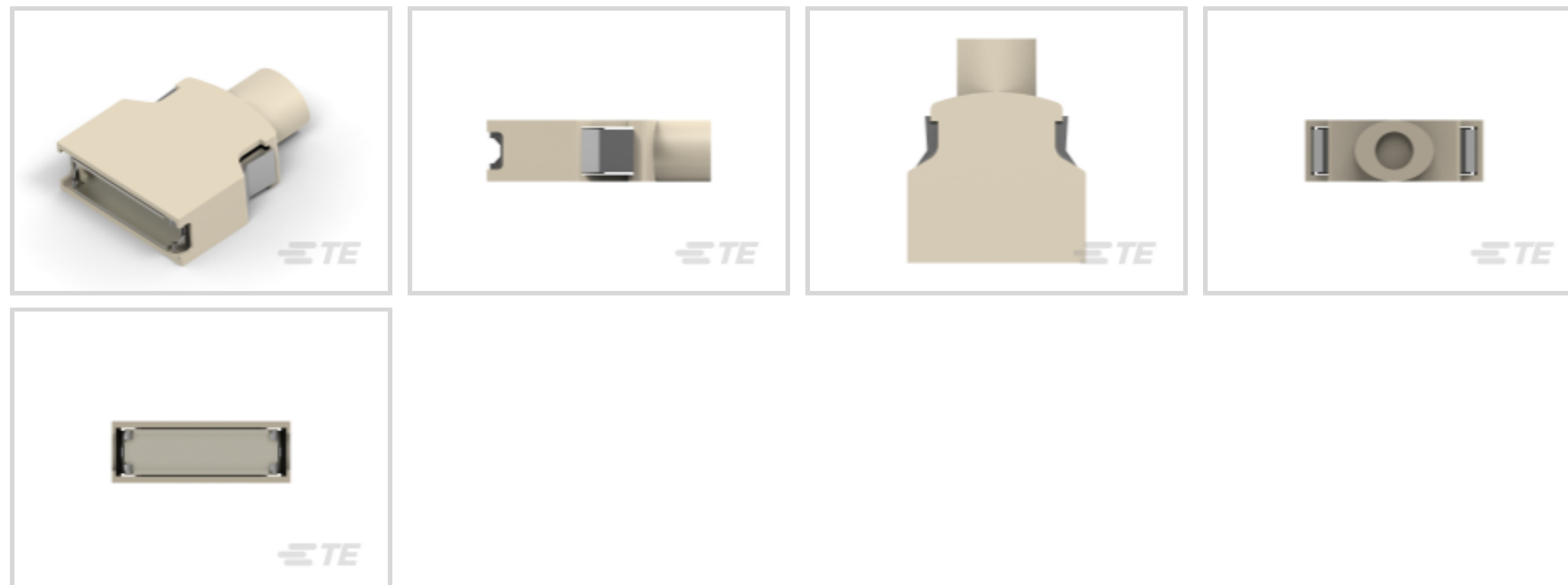
TE Part # 176793-4

TE Internal #: 176793-4

[View on TE.com >](#)



Connectors > D-Shaped Connectors > D-Sub Accessories > D-Sub Backshells & Clamps



Accessory Type: **Shield Case Kit**

Connector System: **Wire-to-Board**

Number of Positions: **26**

Shielded: **Yes**

Cable Exit Angle: **180**

## Features

### Product Type Features

Product Type	Accessory
Accessory Type	Shield Case Kit
Connector System	Wire-to-Board
Shielded	Yes
Sealable	No

### Configuration Features

Number of Positions	26
---------------------	----

### Body Features

Rear Shell Material	Steel
Body Material	Glass-Filled Thermoplastic
Color	Beige White
Shield Plating Material	Nickel over Copper
Backshell Material	Steel
Rear Shell Plating Material	Nickel
Body Flammability Rating	UL 94V-0



Backshell Plating Material Nickel over Copper

Cable Exit Angle 180

**Mechanical Attachment**

Locking Spring Material Stainless Steel

**Dimensions**

Cable Outside Diameter 5.89 – 6.91 mm [.232 – .272 in]

**Usage Conditions**

Operating Temperature Range -55 – 85 °C [-67 – 185 °F]

**Industry Standards**

Locking Spring Flammability Rating UL 94V-0

Cover Flammability Rating UL 94V-0

**Packaging Features**

Packaging Quantity 100

Packaging Method Box

**Product Compliance**

[For compliance documentation, visit the product page on TE.com>](#)

EU RoHS Directive 2011/65/EU Compliant

EU ELV Directive 2000/53/EC Compliant

China RoHS 2 Directive MIIT Order No 32, 2016 No Restricted Materials Above Threshold

EU REACH Regulation (EC) No. 1907/2006  
Current ECHA Candidate List: JAN 2019 (197)  
Candidate List Declared Against: JAN 2018 (181)

Halogen Content Not Yet Reviewed for halogen content

Solder Process Capability Not applicable for solder process capability

**Product Compliance Disclaimer**

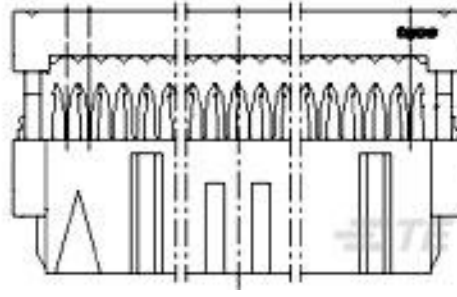
This information is provided based on reasonable inquiry of our suppliers and represents our current actual knowledge based on the information they provided. This information is subject to change. The part numbers that TE has identified as EU RoHS compliant have a maximum concentration of 0.1% by weight in homogenous materials for lead, hexavalent chromium, mercury, PBB, PBDE, DBP, BBP, DEHP, DIBP, and 0.01% for cadmium, or qualify for an exemption to these limits as defined in the Annexes of Directive 2011/65/EU (RoHS2). Finished electrical and electronic equipment products will be CE marked as required by Directive 2011/65/EU. Components may not be CE marked. Additionally, the part numbers that TE has identified as EU ELV compliant have a maximum concentration of 0.1% by weight in homogenous materials for lead, hexavalent chromium, and mercury, and 0.01% for cadmium, or qualify for an exemption to these limits as defined in the Annexes of Directive 2000/53/EC (ELV). Regarding the REACH Regulations, TE's information on SVHC in articles for this part number is still based on the European Chemical Agency (ECHA) 'Guidance on requirements for substances in articles' (Version: 2, April 2011), applying the 0.1% weight on weight concentration threshold at the finished

product level. TE is aware of the European Court of Justice ruling of September 10th, 2015 also known as O5A (Once An Article Always An Article) stating that, in case of 'complex object', the threshold for a SVHC must be applied to both the product as a whole and simultaneously to each of the articles forming part of its composition. TE has evaluated this ruling based on the new ECHA "Guidance on requirements for substances in articles" (June 2017, version 4.0) and will be updating its statements accordingly.

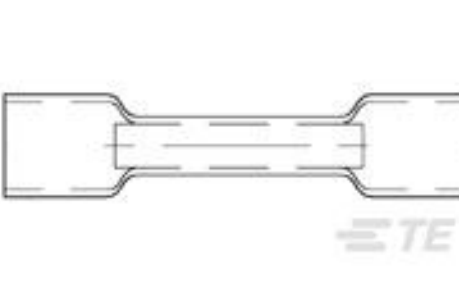
## Customers Also Bought



TE Part #102100-1  
MOD I RECP PLTD 15 SEL



TE Part #4-215915-0  
AMP-LATCH 15.2 HIGH TAPE



TE Part #603504-2  
12-10 PRE-INSUL SEALED SPLICE



TE Part #4-1437719-2  
T01-0550-S08-FEMALE PLUG CONNECTOR SOLDE



TE Part #151667-4  
FF 375 REC TERMINAL 11-10 AWG PBR



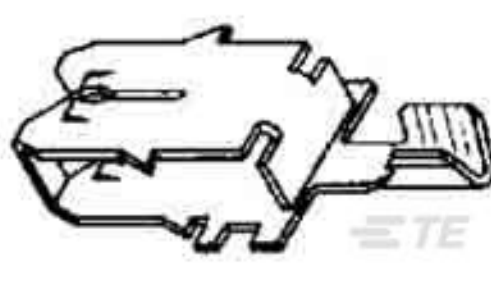
TE Part #1-826629-5  
15P AMPMODU II STIFT LEI



TE Part #1-925366-5  
MOD 4 REC.HSG 1X15P



TE Part #2-5175677-4  
CHAMP.050 PLUG CONN KIT 26P PB



TE Part #62459-1  
MAG-MATE SLOT 27-23 016 TPBR

## Documents

### Product Drawings

CHAMP 050 SIELD CASE KIT 26P

English

### CAD Files

Customer View Model

[ENG\\_CVM\\_CVM\\_176793-4\\_F.2d\\_dxf.zip](#)

English

### 3D PDF

3D

Customer View Model

[ENG\\_CVM\\_CVM\\_176793-4\\_F.3d\\_igs.zip](#)



English

Customer View Model

[ENG\\_CVM\\_CVM\\_176793-4\\_F.3d\\_stp.zip](#)

English

---

**Product Specifications**

[Termination and Assy of CHAMP .050 Series \(II\) Shield Case Connector](#)

English

[Application Specification](#)

English

[Termination and Assy of CHAMP .050 Series \(II\) Shield Case Connector](#)

Japanese

[Application Specification](#)

Japanese