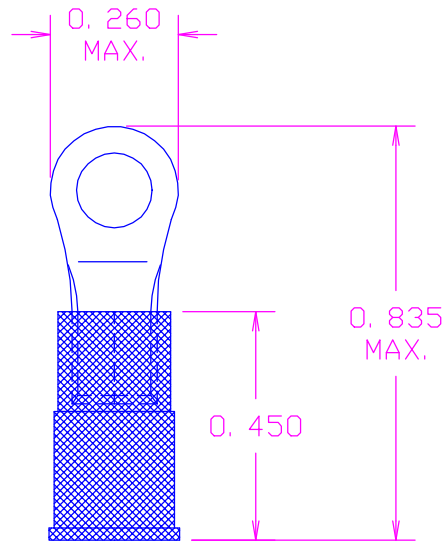


DATE	SYM	REVISION RECORD	AUTH.	DR.	CK.
9/17/99	-	ISSUED	JL	NT	JL



MATERIAL: TERMINAL- COPPER, .032" MAX. THICKNESS  
 INSULATION- PVC (BLUE COLOR)

WIRE RANGE: 16-14  
 STUD SIZE: 5-6

ACTUAL SIZE



TOLERANCES (EXCEPT AS NOTED)	CONCORD		ELECTRONICS CORPORATION
DECIMAL +	P/N	SCALE	30 GREAT JONES ST. NEW YORK N. Y. 10012
FRACTIONAL +	TITLE RING TONGUE TERMINAL		
ANGULAR +	DATE 9/17/99	DRAWING NUMBER 701-2019	